

Product Features

- Compliant with FC-P1-4 800-SM-LC-L
- Digital Diagnostic Monitoring available
- SFP+ MSA package with duplex LC connector
- Cooled EML Laser
- Dual 8.5G CDR bi-directional data links
- Single +3.3V DC power supply
- Class 1 laser safety certified
- Hot-pluggable SFP footprint
- Operating temperature: -40°C to +85°C
- Up to 40km on 9/125µm SMF
- RoHS Compliant



Applications

- 8.5G Fiber channel

Descriptions

LX481xIDH SFP+ transceivers, according to Enhanced Small Form Factor Pluggable “SFP+” Multi-Sourcing Agreement (MSA) SFF-8431 and SFF-8472, revision 10.4, are designed for use in CWDM 8x Fibre channel application of links up to 40km over single mode fiber.

The product is RoHS compliant.

Ordering Information

Table 1. Ordering Information

Part Number	Transmitter	Output Power	Receiver	Sensitivity	Reach	Temp	DDM	RoHS
LX4811IDH	1471nm EML	-1 ~ +2dBm	PIN	< -15.8dBm	40km	-40 ~ 85 °C	Available	Compliant
LX4812IDH	1491nm EML	-1 ~ +2dBm	PIN	< -15.8dBm	40km	-40 ~ 85 °C	Available	Compliant
LX4813IDH	1511nm EML	-1 ~ +2dBm	PIN	< -15.8dBm	40km	-40 ~ 85 °C	Available	Compliant
LX4814IDH	1531nm EML	-1 ~ +2dBm	PIN	< -15.8dBm	40km	-40 ~ 85 °C	Available	Compliant
LX4815IDH	1551nm EML	-1 ~ +2dBm	PIN	< -15.8dBm	40km	-40 ~ 85 °C	Available	Compliant
LX4816IDH	1571nm EML	-1 ~ +2dBm	PIN	< -15.8dBm	40km	-40 ~ 85 °C	Available	Compliant
LX4817IDH	1591nm EML	-1 ~ +2dBm	PIN	< -15.8dBm	40km	-40 ~ 85 °C	Available	Compliant
LX4818IDH	1611nm EML	-1 ~ +2dBm	PIN	< -15.8dBm	40km	-40 ~ 85 °C	Available	Compliant

Pin Description

Table 2. Pin Description

Pin	Name	Function/Description	Notes
1	VeeT	Transmitter Ground	1
2	TX_Fault	Transmitter Fault (LVTTTL-O) - High indicates a fault condition	2
3	TX_Disable	Transmitter Disable (LVTTTL-I) – High or open disables the transmitter	3
4	SDA	Two wire serial interface Data Line (LVCMOS-I/O) (MOD-DEF2)	4
5	SCL	Two wire serial interface Clock Line (LVCMOS-I/O) (MOD-DEF1)	4
6	MOD_ABS	Module Absent (Output), connected to VeeT or VeeR in the module	5
7	RS0	Rate Select 0 – Not used, Presents high input impedance	-
8	RX_LOS	Receiver Loss of Signal (LVTTTL-O)	2
9	RS1	Rate Select 1 – Not used, Presents high input impedance	-
10	VeeR	Receiver Ground	1
11	VeeR	Receiver Ground	1
12	RD-	Inverse Received Data out (CML-O)	-
13	RD+	Received Data out (CML-O)	-
14	VeeR	Receiver Ground	-
15	VccR	Receiver Power - +3.3V	-
16	VccT	Transmitter Power - +3.3 V	-
17	VeeT	Transmitter Ground	1
18	TD+	Transmitter Data In (CML-I)	-
19	TD-	Inverse Transmitter Data In (CML-I)	-
20	VeeT	Transmitter Ground	1

Notes:

1. The module signal grounds are isolated from the module case.
2. This is an open collector/drain output that on the host board requires a 4.7KΩ to 10KΩ pull-up resistor to VccHost.
3. This input is internally biased high with a 4.7KΩ to 10KΩ pull-up resistor to VccT.
4. Two-Wire Serial interface clock and data lines require an external pull-up resistor dependent on the capacitance load.
5. This is a ground return that on the host board requires a 4.7KΩ to 10KΩ pull-up resistor to VccHost.

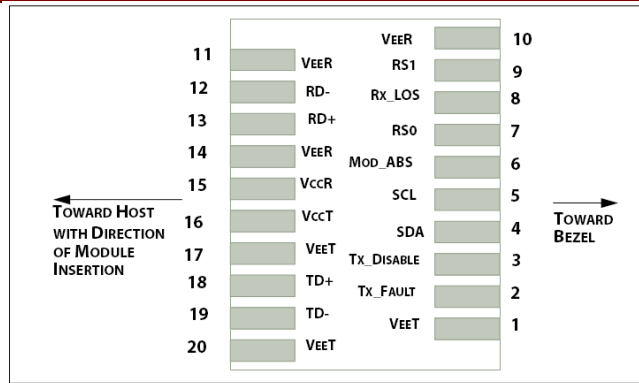


Figure 1. Host PCB SFP+ pad assignment top view

Absolute Maximum Ratings

Stresses in excess of the absolute maximum ratings can cause permanent damage to the device. These are absolute stress ratings only. Functional operation of the device is not implied at these or any other conditions in excess of those given in the operational sections of the data sheet. Exposure to absolute maximum ratings for extended periods can adversely affect device reliability.

Table 3. Absolute Maximum Ratings

Parameter	Symbol	Minimum	Maximum	Unit
Storage Temperature	T_S	-40	85	°C
Relative Humidity	RH	5	95	%
Supply Voltage	V_{CC}	-0.5	4.0	V

Recommended Operating Conditions

Table 4. Recommended Operating Conditions

Parameter	Symbol	Min	Typ	Max	Unit
Operating Case Temperature	T_C	-40	25	85	°C
Supply Voltage	V_{CC}	3.135	3.3	3.465	V
Data Rate	-	-	8.5	-	Gb/s

Transceiver Electrical Characteristics

Table 5. Transceiver Electrical Characteristics

Parameter	Symbol	Minimum	Typical	Maximum	Unit	Notes
Module Supply Current	I_{CC}	-	-	660	mA	-
Power Dissipation	P_D	-	-	2200	mW	-
Transmitter						
Input Differential Impedance	Z_{IN}	-	100	-	Ω	-

Differential Data Input Swing		$V_{IN,P-P}$	180	-	700	mV _{P-P}	-
TX_FAULT	Transmitter Fault	V_{OH}	2.0	-	V_{CCHOST}	V	-
	Normal Operation	V_{OL}	0	-	0.8	V	-
TX_DISABLE	Transmitter Disable	V_{IH}	2.0	-	V_{CCHOST}	V	-
	Transmitter Enable	V_{IL}	0	-	0.8	V	-
Receiver							
Output Differential Impedance		Z_O	-	100	-	Ω	-
Differential Data Output Swing		$V_{OUT,P-P}$	300	-	850	mV _{P-P}	1
Data Output Rise Time, Fall Time		t_r, t_f	28	-	-	ps	2
RX_LOS	Loss of signal (LOS)	V_{OH}	2.0	-	V_{CCHOST}	V	3
	Normal Operation	V_{OL}	0	-	0.8	V	3

Notes:

- Internally AC coupled, but requires a external 100 Ω differential load termination.
- 20–80%.
- LOS is an open collector output. Should be pulled up with 4.7K Ω on the host board.

Transmitter Optical Characteristics

Table 6. Transmitter Optical Characteristics

Parameter	Symbol	Minimum	Typical	Maximum	Unit	Notes
Launch Optical Power	P _o	-1	-	+2	dBm	1
Center Wavelength Range	λ_c	1464.5	-	1617.5	nm	-
Center Wavelength Tolerance	$\Delta\lambda_c$	-6.5	-	6.5	nm	-
Extinction Ratio	EX	5.0	-	-	dB	2
Optical Modulation Amplitude	OMA	-2.1	-	-	dBm	-
Side Mode Suppression Ratio	SMSR	30	-	-	dB	-
Transmitter and Dispersion Penalty	TDP	-	-	3.0	dB	-
Relative Intensity Noise	RIN	-	-	-128	dB/Hz	-
Optical Return Loss Tolerance	ORLT	-	-	21	dB	-
P _{out} @TX-Disable Asserted	P _{off}	-	-	-30	dBm	1

Notes:

- The optical power is launched into 9/125 μ m SMF.
- Measured with a PRBS 2³¹-1 test pattern @8.5Gbps.

Receiver Optical Characteristics

Table 7. Receiver Optical Characteristics

Parameter	Symbol	Minimum	Typical	Maximum	Unit	Notes
Center Wavelength	λ_c	1464.5	-	1617.5	nm	-
Receiver Sensitivity (P _{avg})	S	-	-	-15.8	dBm	1
Receiver Sensitivity (OMA)	S _{OMA}	-	-	-14.1	dBm	1

Receiver Overload (P_{avg})	P_{OL}	-1.0	-	-	dBm	1
Stressed Sensitivity (OMA)	-	-	-	-11.3	dBm	2
Optical Return Loss	ORL	26	-	-	dB	-
LOS De-Assert	LOS_D	-	-	-17	dBm	-
LOS Assert	LOS_A	-30	-	-	dBm	-
LOS Hysteresis	-	0.5	-	-	dB	-

Notes:

1. Measured with PRBS $2^{31}-1$ test pattern, 8.5Gb/s, BER< 10^{-12} .
2. Comply with IEEE 802.3-2005.

Recommended Host Board Power Supply Filter Network

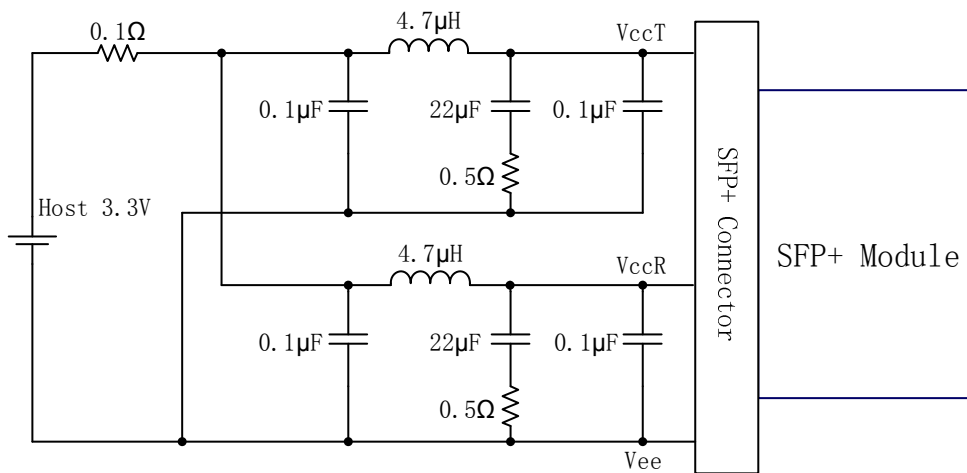


Figure 2. Recommended Host Board Power Supply Filter Network

Recommended Application Interface Block Diagram

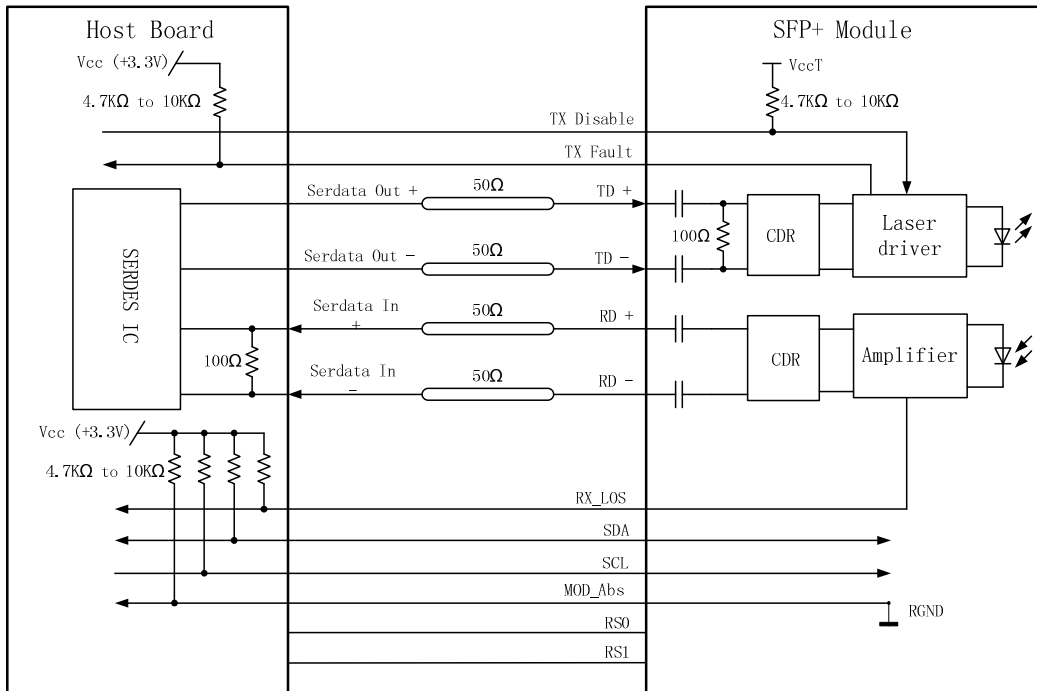


Figure 3. Recommended Application Interface Block Diagram

Mechanical specifications

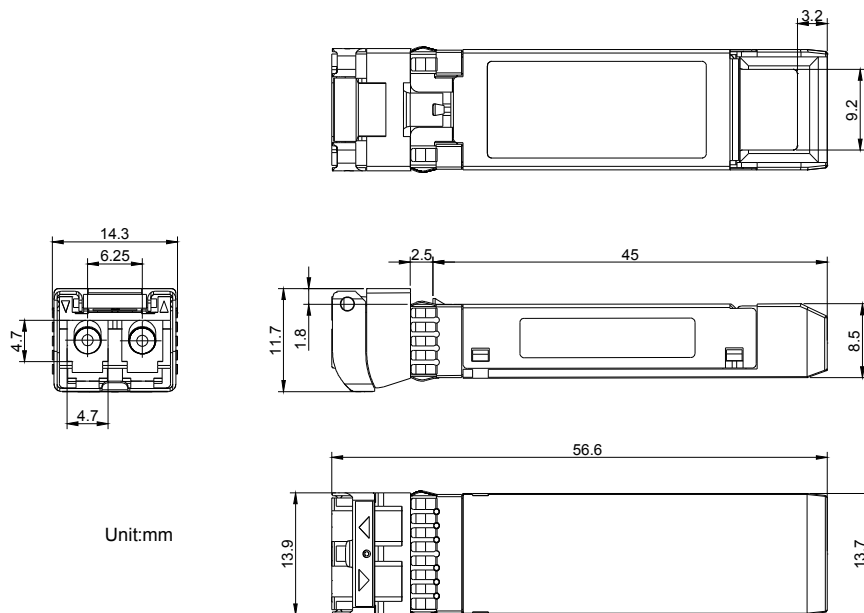


Figure 4. Outline Drawing

For More Information

Linktel Technologies Co., Ltd

sales@linkteltech.com

<http://www.linkteltech.com>

Linktel China

E12, No.52 Liufang Road, East-Lake Hi-tech Development Zone, Wuhan, China

Tel: +86 27 8792 9298

Linktel USA

1601 McCarthy Blvd #9, Milpitas, CA 95035, USA

linktelus@linkteltech.com

Tel: +1 408 807 0482